

# GCVX series

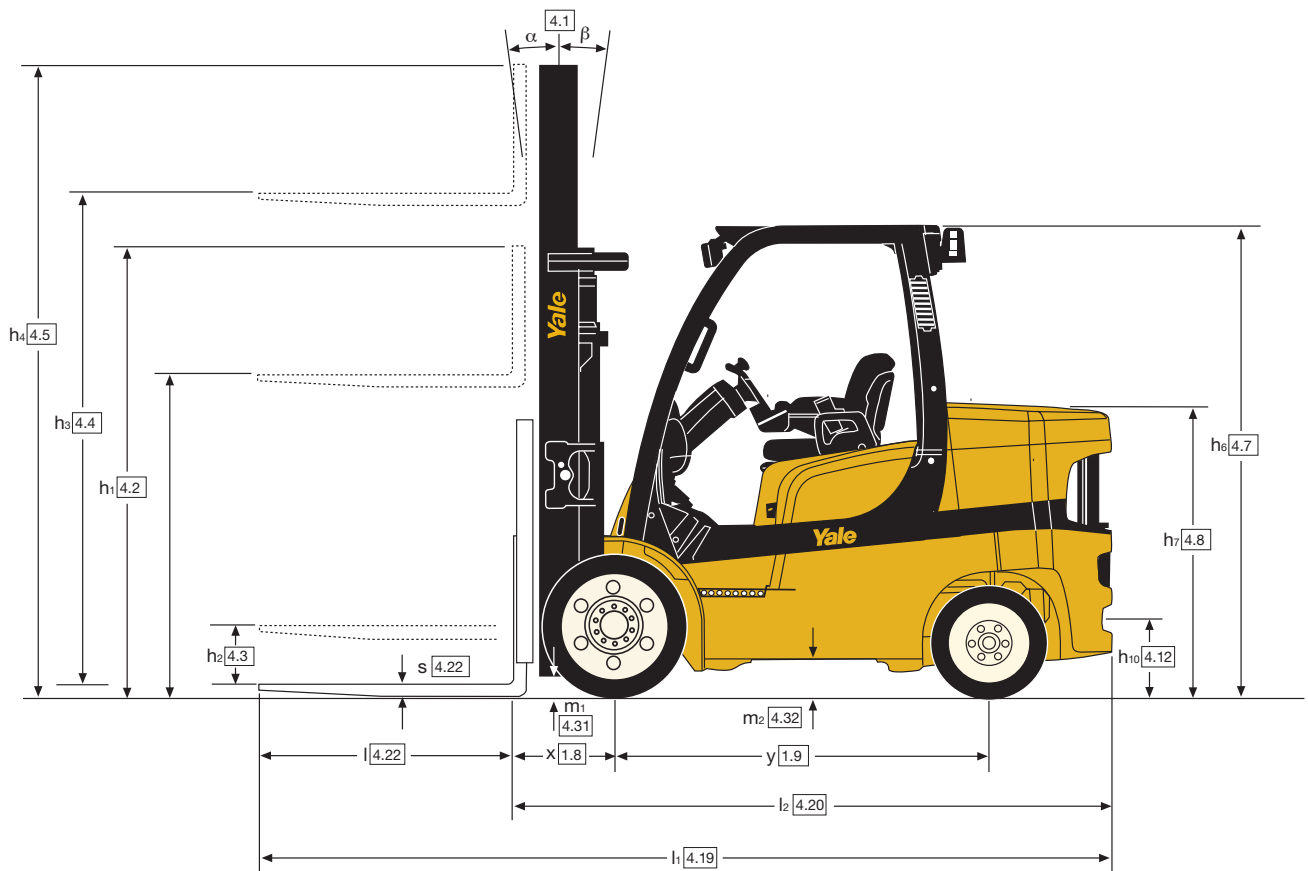
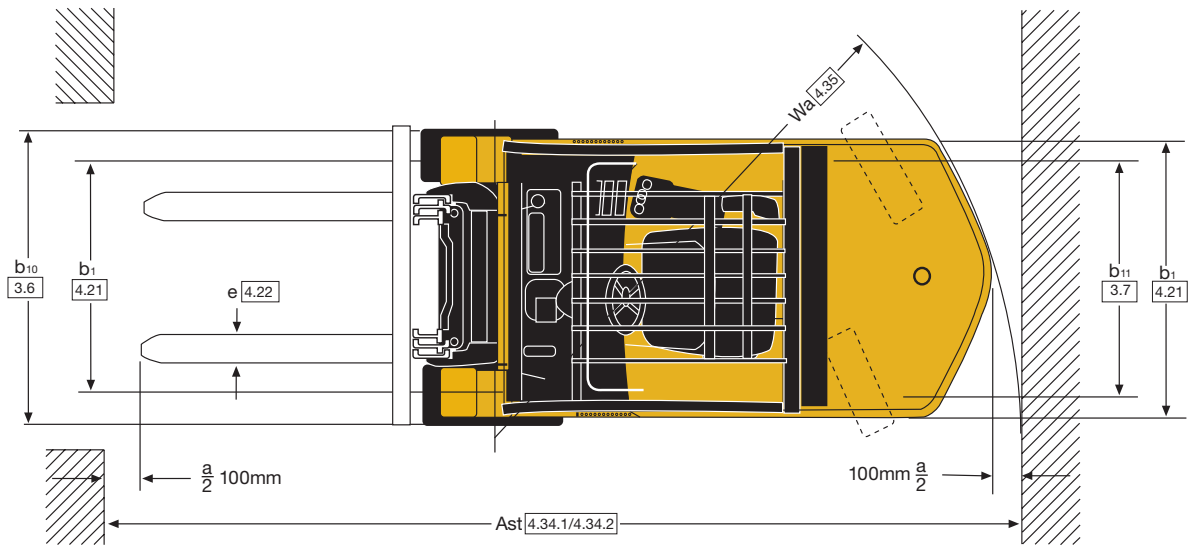
6,000kg / 7,000kg

## Diesel Forklift Trucks



- Designed for high-intensity indoor applications
- Compact design offers excellent manoeuvrability and delivers high productivity
- Intellix Vehicle Management System and CAN bus technology monitor truck systems
- Techtronix 100 transmission delivers precise handling
- AccuTouch mini-lever and manual levers

## Truck Dimensions



## GDC 60VX Mast details and capacity ratings (kg) - Cushion tyres

Model						GDC 60 VX		
Tyre size, front						28 x 12 x 22		
Overall width, front						1438mm		
Mast	h <sub>1</sub> (mm)	h <sub>2</sub> +s (mm)	h <sub>3</sub> +s (mm)	h <sub>4</sub> (mm)	Tilt (Back)	With carriage only	With carriage & sideshift	With carriage & sideshifting fork positioner
						Load centre (kg)	Load centre (kg)	Load centre (kg)
						600	600	600
2 Stage LFL	2197	160	2400	3632	10°	6000	5730	5680
	2697	160	3400	4632	10°	6000	5700	5650
	3197	160	4400	5632	10°	6000	5650	5600
3 Stage FFL	2227	995	3800	5026	6°	6000	5630	5570
	2527	1295	4700	5926	6°	6000	5600	5550
	2827	1595	5600	6826	6°	5800	5390	5340
	3077	1845	6200	7426	6°	-	-	-

## GDC 70VX Mast details and capacity ratings (kg) - Cushion tyres

Model						GDC 70 VX		
Tyre size, front						28 x 12 x 22		
Overall width, front						1438mm		
Mast	h <sub>1</sub> (mm)	h <sub>2</sub> +s (mm)	h <sub>3</sub> +s (mm)	h <sub>4</sub> (mm)	Tilt (Back)	With carriage only	With carriage & sideshift	With carriage & sideshifting fork positioner
						Load centre (kg)	Load centre (kg)	Load centre (kg)
						600	600	600
2 Stage LFL	2197	160	2400	3632	10°	7000	6580	6530
	2697	160	3400	4632	10°	7000	6550	6500
	3197	160	4400	5632	10°	7000	6490	6440
3 Stage FFL	2227	995	3800	5026	6°	7000	6430	6380
	2527	1295	4700	5926	6°	7000	6400	6350
	2827	1595	5600	6826	6°	6740	6190	6140
	3077	1845	6200	7426	6°	-	-	-

### Options

- Premium monitoring package
- Powertrain protection system
- High air intake with pre-cleaner
- Radiator screen
- Traction speed limiter
- Load weight indicator
- Hydraulic accumulator
- Return-to-set tilt
- Impact monitor
- Reverse alarm
- Amber strobe light
- Operator password
- Keyless start
- Full-suspension swivel seat
- Foot directional control
- Mirrors
- Light kit
- Swing-out, drop-down EZ-Tank bracket

### Engine Specifications

Engine	Kubota V3800 E4
Cylinders	4
Displacement	3796cc
Power	55kW @ 2,200rpm
Torque	300Nm @ 1,400rpm

### Masts

A full range of Yale Hi-Vis 2 stage LFL and 2 and 3 stage FFL masts are available.

Yale Hi-Vis masts are designed for maximum visibility, with widely spaced channels, lift chains and main lift cylinders.

## VDI 2198 - General Specifications GDC 60VX, GDC 70VX - Diesel engines

Distinguishing mark			Yale GDC 60VX				
			Kubota 3.8L Powershift Electronic 2-speed	Kubota 3.8L Powershift Electronic 2-speed with Soft Shift Power Reversal	Kubota 3.8L Techtronix 300 3-speed	Kubota 3.8L Techtronix 300 (AH) 3-speed	
1.1	Manufacturer (abbreviation)						
1.2	Manufacturer's type designation						
	Engine / Transmission						
	Model		Base	Base	Value	Value	
	Brake type		Oil Immersed	Oil Immersed	Oil Immersed	Oil Immersed	
1.3	Drive: electric (battery or mains), diesel, petrol, fuel gas		Diesel	Diesel	Diesel	Diesel	
1.4	Operator type: hand, pedestrian, standing, seated, order-picker		Seated	Seated	Seated	Seated	
1.5	Rated capacity/rated load	Q (t)	6.0	6.0	6.0	6.0	
1.6	Load centre distance	c (mm)	600	600	600	600	
1.8	Load distance, centre of drive axle to fork	x (mm)	498	498	498	498	
1.9	Wheelbase	y (mm)	1830	1830	1830	1830	
Weights	2.1	Service weight	kg	8667	8667	8667	8667
2.2	Axle loading, laden front/rear	kg	13144 / 1523	13144 / 1523	13144 / 1523	13144 / 1523	
2.3	Axle loading, unladen front/rear	kg	3546 / 5121	3546 / 5121	3546 / 5121	3546 / 5121	
Tyres/chassis	3.1	Tyres: L=pneumatic, V=solid, SE=Pneumatic Shape Solid	V	V	V	V	
3.2	Tyre size, front		28 x 12 x 22	28 x 12 x 22	28 x 12 x 22	28 x 12 x 22	
3.3	Tyre size, rear		22 x 8 x 16	22 x 8 x 16	22 x 8 x 16	22 x 8 x 16	
3.5	Wheels, number front/rear (x = driven wheels)		2x / 2	2x / 2	2x / 2	2x / 2	
3.6	Tread, front	b <sub>10</sub> (mm)	1133	1133	1133	1133	
3.7	Tread, rear	b <sub>11</sub> (mm)	1192	1192	1192	1192	
Dimensions	4.1	Tilt of mast/fork carriage forward/backward	$\alpha / \beta$ (°)	6 / 10	6 / 10	6 / 10	6 / 10
4.2	Height, mast lowered	h <sub>1</sub> (mm)	2697	2697	2697	2697	
4.3	Free lift	h <sub>2</sub> (mm)	100	100	100	100	
4.4	Lift	h <sub>3</sub> (mm)	3340	3340	3340	3340	
4.5	Height, mast extended	h <sub>4</sub> (mm)	4575	4575	4575	4575	
4.7	Height of overhead guard (cabin)	h <sub>6</sub> (mm)	2302	2302	2302	2302	
4.8	Seat height/stand height	h <sub>7</sub> (mm)	1335	1335	1335	1335	
4.12	Coupling height	h <sub>10</sub> (mm)	388	388	388	388	
4.19	Overall length	l <sub>1</sub> (mm)	4128	4128	4128	4128	
4.20	Length to face of forks	l <sub>2</sub> (mm)	2928	2928	2928	2928	
4.21	Overall width	b <sub>1</sub> /b <sub>2</sub> (mm)	1438	1438	1438	1438	
4.22	Fork dimensions ISO 2331	s/e/l (mm)	60 / 150 / 1200	60 / 150 / 1200	60 / 150 / 1200	60 / 150 / 1200	
4.23	Fork carriage ISO 2328, class/type A, B		IVA	IVA	IVA	IVA	
4.24	Fork carriage width	b <sub>3</sub> (mm)	1219	1219	1219	1219	
4.31	Ground clearance, laden, below mast	m <sub>1</sub> (mm)	113	113	113	113	
4.32	Ground clearance, centre of wheelbase	m <sub>2</sub> (mm)	188	188	188	188	
4.33	Load dimension b <sub>12</sub> x l <sub>6</sub> crossways	b <sub>12</sub> x l <sub>6</sub> (mm)	1200 x 1000	1200 x 1000	1200 x 1000	1200 x 1000	
4.34	Aisle width predetermined load dimensions	A <sub>st</sub> (mm)	4283	4283	4283	4283	
4.34.1	Aisle width for pallets 1000 x 1200 crossways	A <sub>st</sub> (mm)	4483	4483	4483	4483	
4.34.2	Aisle width for pallets 800 x 1200 crossways	A <sub>st</sub> (mm)	4483	4483	4483	4483	
4.35	Turning radius	W <sub>a</sub> (mm)	2585	2585	2585	2585	
4.36	Internal turning radius	b <sub>13</sub> (mm)	751	751	751	751	
4.41	90° intersecting aisle (with pallet L = 1000mm x W = 1200mm)	(mm)	2292	2292	2292	2292	
4.42	Step height (from ground to running board)	(mm)	531	531	531	531	
4.43	Step height (between intermediate steps and floor)	(mm)	313	313	313	313	
Performance data	5.1	Travel speed, laden/unladen	km/h	20.7 / 20.0	20.7 / 20.0	20.9 / 20.2	20.9 / 20.2
5.1.1	Travel speed, laden/unladen, backwards	km/h	20.7 / 20.0	20.7 / 20.0	18.3 / 17.7	18.3 / 17.7	
5.2	Lift speed, laden/unladen	m/s	0.48 / 0.49	0.48 / 0.49	0.48 / 0.49	0.48 / 0.49	
5.3	Lowering speed, laden/unladen	m/s	0.58 / 0.53	0.58 / 0.53	0.58 / 0.53	0.58 / 0.53	
5.5	Drawbar pull, laden/unladen <sup>(1)</sup>	N	37850 / 21450	37850 / 21450	44500 / 21450	44500 / 21450	
5.7	Gradeability, laden/unladen <sup>(2)</sup>	%	16.1 / 24.8	16.1 / 24.8	17.1 / 24.8	17.1 / 24.8	
5.9	Acceleration time, laden/unladen <sup>(3)</sup>	s	5.8 / 5.0	5.8 / 5.0	6.1 / 5.7	6.1 / 5.7	
5.10	Service brake		Hydraulic	Hydraulic	Hydraulic	Hydraulic	
Combustion engine	7.1	Engine manufacturer/type		Kubota V3800 E4	Kubota V3800 E4	Kubota V3800 E4	Kubota V3800 E4
7.2	Engine power according to ISO 1585	kW	55	55	55	55	
7.3	Rated speed	min-1	2200	2200	2200	Jan-06	
7.3.1	Torque at 1/min	Nm/min-1	300 / 1400	300 / 1400	300 / 1400	300 / 1400	
7.4	Number of cylinders/displacement	(-)/cm <sup>3</sup>	4 / 3796	4 / 3796	4 / 3796	4 / 3796	
7.5	Fuel consumption according to VDI cycle	l/h or kg/h	6.47	6.47	6.67	6.67	
7.10	Battery voltage/nominal capacity <sup>(4)</sup>	(V)/(Ah)	12 / 105	12 / 105	12 / 105	12 / 105	
Additional data	8.1	Type of drive unit		Hydrodynamic	Hydrodynamic	Hydrodynamic	Hydrodynamic
10.1	Operating pressure for attachments	bar	153	153	153	153	
10.2	Oil volume for attachments	l/min	83.3	83.3	83.3	83.3	
10.3	Hydraulic oil tank, capacity	l	64.7	64.7	64.7	64.7	
10.4	Fuel tank, capacity	l	65.8	65.8	65.8	65.8	
10.7	Sound pressure level at the driver's seat	dB (A)	81	81	81	81	
10.7.1	Sound power level during the workcycle	dB (A)	100	100	100	100	
10.7.2	Guaranteed sound power 2001/14/EC	dB (A)	104	104	104	104	
10.8	Towing coupling, type DIN		Pin	Pin	Pin	Pin	

<sup>(1)</sup> at 1.6 km/h

<sup>(2)</sup> at 4.8 km/h

<sup>(3)</sup> to 15m (per VDI 2198 December 2012)

<sup>(4)</sup> Battery ampere hour (Ah) nominal capacity ratings are estimated.

<sup>(5)</sup> With and without cab.

**Spec sheet truck based on:**  
3400mm top of forks 2 stage LFL mast with standard carriage and 1200mm forks.

**All values are nominal values and they are subject to tolerances. For further information, please contact the manufacturer.**

Yale				Manufacturer (abbreviation)		1.1	
GDC 70VX				Manufacturer's type designation		1.2	
Kubota 3.8L Powershift Electronic 2-speed	Kubota 3.8L Powershift Electronic 2-speed with Soft Shift Power Reversal	Kubota 3.8L Techtronix 300 3-speed	Kubota 3.8L Techtronix 300 (AH) 3-speed	Engine / Transmission			Distinguishing mark
Base	Base	Value	Value	Model			
Oil Immersed	Oil Immersed	Oil Immersed	Oil Immersed	Brake type			
Diesel	Diesel	Diesel	Diesel	Drive: electric (battery or mains), diesel, petrol, fuel gas		1.3	
Seated	Seated	Seated	Seated	Operator type: hand, pedestrian, standing, seated, order-picker		1.4	
7.0	7.0	7.0	7.0	Q (t)	Rated capacity/rated load	1.5	
600	600	600	600	c (mm)	Load centre distance	1.6	
498	498	498	498	x (mm)	Load distance, centre of drive axle to fork	1.8	
1830	1830	1830	1830	y (mm)	Wheelbase	1.9	
9531	9531	9531	9531	kg	Service weight	2.1	
14928 / 1603	14928 / 1603	14928 / 1603	14928 / 1603	kg	Axle loading, laden front/rear	2.2	
3730 / 5801	3730 / 5801	3730 / 5801	3730 / 5801	kg	Axle loading, unladen front/rear	2.3	
V	V	V	V	Tyres: L=pneumatic, V=solid, SE=Pneumatic Shape Solid		3.1	Weights
28 x 12 x 22	28 x 12 x 22	28 x 12 x 22	28 x 12 x 22	Tyre size, front		3.2	
22 x 8 x 16	22 x 8 x 16	22 x 8 x 16	22 x 8 x 16	Tyre size, rear		3.3	
2x / 2	2x / 2	2x / 2	2x / 2	Wheels, number front/rear (x = driven wheels)		3.5	Tyres/chassis
1133	1133	1133	1133	b <sub>10</sub> (mm)	Tread, front	3.6	
1192	1192	1192	1192	b <sub>11</sub> (mm)	Tread, rear	3.7	
6 / 10	6 / 10	6 / 10	6 / 10	α / β (°)	Tilt of mast/fork carriage forward/backward	4.1	
2697	2697	2697	2697	h <sub>1</sub> (mm)	Height, mast lowered	4.2	
100	100	100	100	h <sub>2</sub> (mm)	Free lift	4.3	
3340	3340	3340	3340	h <sub>3</sub> (mm)	Lift	4.4	
4575	4575	4575	4575	h <sub>4</sub> (mm)	Height, mast extended	4.5	
2302	2302	2302	2302	h <sub>6</sub> (mm)	Height of overhead guard (cabin)	4.7	Dimensions
1335	1335	1335	1335	h <sub>7</sub> (mm)	Seat height/stand height	4.8	
388	388	388	388	h <sub>10</sub> (mm)	Coupling height	4.12	
4128	4128	4128	4128	l <sub>1</sub> (mm)	Overall length	4.19	
2928	2928	2928	2928	l <sub>2</sub> (mm)	Length to face of forks	4.20	
1438	1438	1438	1438	b <sub>1</sub> /b <sub>2</sub> (mm)	Overall width	4.21	
50 / 120 / 1200	50 / 120 / 1200	50 / 120 / 1200	50 / 120 / 1200	s/e/l (mm)	Fork dimensions ISO 2331	4.22	
IVA	IVA	IVA	IVA	Fork carriage ISO 2328, class/type A, B		4.23	
1219	1219	1219	1219	b <sub>3</sub> (mm)	Fork carriage width	4.24	
113	113	113	113	m <sub>1</sub> (mm)	Ground clearance, laden, below mast	4.31	
188	188	188	188	m <sub>2</sub> (mm)	Ground clearance, centre of wheelbase	4.32	
1200 x 1000	1200 x 1000	1200 x 1000	1200 x 1000	b <sub>12</sub> x l <sub>6</sub> (mm)	Load dimension b <sub>12</sub> x l <sub>6</sub> crossways	4.33	
4283	4283	4283	4283	A <sub>st</sub> (mm)	Aisle width predetermined load dimensions	4.34	
4483	4483	4483	4483	A <sub>st</sub> (mm)	Aisle width for pallets 1000 x 1200 crossways	4.34.1	
4483	4483	4483	4483	A <sub>st</sub> (mm)	Aisle width for pallets 800 x 1200 crossways	4.34.2	
2585	2585	2585	2585	W <sub>a</sub> (mm)	Turning radius	4.35	
751	751	751	751	b <sub>13</sub> (mm)	Internal turning radius	4.36	
2292	2292	2292	2292	(mm)	90° intersecting aisle (with pallet L = 1000mm x W = 1200mm)	4.41	
531	531	531	531	(mm)	Step height (from ground to running board)	4.42	
313	313	313	313	(mm)	Step height (between intermediate steps and floor)	4.43	
20.7 / 20.0	20.7 / 20.0	20.9 / 20.2	20.9 / 20.2	km/h	Travel speed, laden/unladen	5.1	Performance data
20.7 / 20.0	20.7 / 20.0	18.3 / 17.7	18.3 / 17.7	km/h	Travel speed, laden/unladen, backwards	5.1.1	
0.45 / 0.49	0.45 / 0.49	0.45 / 0.49	0.45 / 0.49	m/s	Lift speed, laden/unladen	5.2	
0.58 / 0.53	0.58 / 0.53	0.58 / 0.53	0.58 / 0.53	m/s	Lowering speed, laden/unladen	5.3	
37550 / 22640	37550 / 22640	44500 / 22640	44500 / 22640	N	Drawbar pull, laden/unladen <sup>(1)</sup>	5.5	
14.1 / 23.9	14.1 / 23.9	15.1 / 23.9	15.1 / 23.9	%	Gradeability, laden/unladen <sup>(2)</sup>	5.7	
6.1 / 5.1	6.1 / 5.1	6.3 / 5.8	6.3 / 5.8	s	Acceleration time, laden/unladen <sup>(3)</sup>	5.9	
Hydraulic	Hydraulic	Hydraulic	Hydraulic	Service brake		5.10	
Kubota V3800 E4	Kubota V3800 E4	Kubota V3800 E4	Kubota V3800 E4	Engine manufacturer/type		7.1	Combustion engine
55	55	55	55	kW	Engine power according to ISO 1585	7.2	
2200	2200	2200	2200	min-1	Rated speed	7.3	
300 / 1400	300 / 1400	300 / 1400	300 / 1400	Nm/min-1	Torque at 1/min	7.3.1	
4 / 3796	4 / 3796	4 / 3796	4 / 3796	(-)/cm <sup>3</sup>	Number of cylinders/displacement	7.4	
6.98	6.98	7.18	7.18	l/h or kg/h	Fuel consumption according to VDI cycle	7.5	
12 / 105	12 / 105	12 / 105	12 / 105	(V)/(Ah)	Battery voltage/nominal capacity <sup>(4)</sup>	7.10	
Hydrodynamic	Hydrodynamic	Hydrodynamic	Hydrodynamic	Type of drive unit		8.1	Additional data
153	153	153	153	bar	Operating pressure for attachments	10.1	
83.3	83.3	83.3	83.3	l/min	Oil volume for attachments	10.2	
64.7	64.7	64.7	64.7	l	Hydraulic oil tank, capacity	10.3	
65.8	65.8	65.8	65.8	l	Fuel tank, capacity	10.4	
81	81	81	81	dB (A)	Sound pressure level at the driver's seat	10.7	
100	100	100	100	dB (A)	Sound power level during the workcycle	10.7.1	
104	104	104	104	dB (A)	Guaranteed sound power 2001/14/EC	10.7.2	
Pin	Pin	Pin	Pin	Towing coupling, type DIN		10.8	

Yale products might be subject to change without notice. Lift trucks illustrated may feature optional equipment. Values may vary with alternative configurations.

# GCVX series

Models: GLC 60VX, GLC 70VX

## Yale Veracitor GC-VX Series

This series of trucks is available in two configurations to match your material handling application requirements.

The Base model offers first-rate performance and is geared to minimize your cost of acquisition without compromising performance.

The Value model provides excellent performance and is optimized for lowest hourly cost of operation.

## Diesel Engine

Yale VX60-70 Value and Productivity models feature the new electronically controlled Kubota V3800 E4 turbocharged diesel engine, delivering power of 55kW at 2200rpm.

The new Kubota V3800 E4 diesel engine is fully compliant with Stage IIIB requirements for regulated markets and will be equipped with a Diesel Particulate Filter as standard. This engine meets the stringent emissions regulations by using a number of technologies including cooled exhaust gas recirculation, charge air cooling and an active regenerating Diesel particulate filter (DPF) which reduces soot levels by 90% to 0.025g/kWh. Stage IIIB = High productivity and low emissions. You can recognize a low emission trucks by the Stage IIIB symbol.

*Note: A Stage IIIB engine must run on Ultra Low Sulphur Diesel (ULSD) fuel, with a maximum of 15 ppm sulphur content.*

*Diesel fuel with a higher sulphur content than 15ppm will compromise the emissions performance of the Stage IIIB engine and may result in damage to components.*

## Transmissions

There are two transmissions available that will handle a wide variety of material handling applications.

**The Powershift Electronic powershift transmission** features two forward and two reverse speeds with electronic shift control, smooth hydraulic inching, neutral start switch, and anti-restart protection. A single pedal controls both inching and braking. A 100 mesh suction and a 10 micron return line filtration protect the transmission from abrasive contaminants.

**The Techtronix 300** includes all the features of the Powershift Electronic powershift transmission and offers three speeds forward and two speeds in reverse for excellent gradeability and drawbar pull while allowing top travel



speeds for maximum productivity.

In addition, the Auto Deceleration System (ADS), slows the truck down through the controlled application of clutch packs, without the need to apply the foot brake. Controlled Power Reversal (CPR) reduces tyre spin by precisely regulating engine speed during full power reversal situations and Controlled Roll-Back (CRB) limits roll-back on gradients to 75mm per second.

## Cooling System

The cooling system employs a 48cm blade pusher-type fan. A permanently lubricated water pump and a high capacity, cross-flow radiator ensure rapid heat dissipation. The sealed cooling system operates at 15 psi, the coolant recovery tank allows visual inspection of coolant level. The combi-cooler radiator features an externally mounted transmission oil cooler for increased heat transfer capability. Both the radiator and oil cooler are built with square-wave construction to reduce clogging from debris and are soft-mounted for excellent durability.

## Drive Axle

The drive axle is designed to withstand heavy-duty loads and absorb shock loads. The wheel hubs rotate on large tapered roller bearings and the drive shaft transmits torsion to the drive axle from the engine and transmission. Transmission torque occurs through an

industrial hypoid ring gear and pinion differential assembly. The drive axle is a self-contained assembly that is isolated from the transmission by a heavy-duty rubber isolator. The axle shafts feature a "rolled fillet" root spline design for increased resistance to torsion stress. A magnetic sump plug is used to collect any metal particles that are circulating in the axle oil, preventing component wear.

## Brakes

Oil immersed disc brakes are standard and internal to the axle for better protection against the elements debris and contamination. These low pedal effort brakes require no adjustments and very little maintenance, yet provide an extremely long service life.

The hydraulically boosted single circuit master cylinder has a sealed fluid reservoir and features a fluid level sensor which activates an indicator light located on the instrument panel.

An independent, hand adjustable parking brake with push-button locking has an audible alarm to indicate when the operator has left the truck without applying the parking brake.

**Hydraulic Power Steering** Hydrostatic steering provides responsive control and eliminates mechanical linkages for reduced surface shock and simplified maintenance. The steering wheel is 30cm in diameter with a textured surface grip and spinner knob, and requires only four turns lock-to-lock. The centre



the operator remains comfortable throughout the shift and fatigue, aches and pains are kept to a minimum.

The automotive-style pedal arrangement with a large, single inch/brake pedal is standard. Tilt cylinders are located beneath the floor for uncluttered space and a rubber floor mat reduces noise and vibration. The floor plate can be

faced design with geometrically matched load roller bearings which are canted to support front and side thrust. The mast front rail flange angle coupled with three degree mast rollers significantly reduce channel and roller wear. A non-metallic phenolic mast trunnion bushing with woven reinforcement offers high load carrying capability with outstanding durability.

mounted steer cylinder is located within the confines of the steer axle for protection.

#### **Steer Axle**

The steer axle is constructed of cast steel and is rubber shock mounted to the frame for reduced wear and vibration. The CSE (Continuous Stability Enhancement) system enhances lateral truck stability through reduced steer axle articulation, while simultaneously allowing uncompromised uneven surface travel. The steer axle system features tapered spindle bearings and non-adjustable tie rod end for durability.

#### **Operator Compartment**

The frame has been designed by state-of-the-art finite element methods and contains a rugged, unitized structure with a low step height – this combined with a conveniently placed hand grip provides easy entry and exit to and from the truck. The ergonomically designed overhead guard is bar type and offers excellent visibility and reduced noise.

Cowl mounted hydraulic control levers positioned on the right side of the steering column are standard. All trucks are available with a mini-lever armrest, which features a new contoured design, and – in addition to the hydraulic functions - features a horn and direction switch, ensuring that all key truck functions are within constant, easy reach.

The new FLM80 Full Suspension Seat, together with the isolated powertrain, provide best in class Whole-Body Vibration levels of 0.6m/s<sup>2</sup>, ensuring that

removed without tools for excellent, fast service access.

#### **Intellix Vehicle System Management (VSM)**

The VSM acts as a master truck controller, providing extensive monitoring and control of truck functions and systems. CANbus technology reduces wiring complexity and enables comprehensive communications between truck systems. The ergonomically positioned dash display transmits continual feedback to the operator and allows for the communication of service codes and comprehensive on-board diagnostics enable quick and easy troubleshooting. The electrical system features sealed connectors and Hall Effect sensors for superior dependability.

#### **Hydraulic System**

The hydraulic system incorporates a gear type pump, cast iron body for quiet efficiency. The system is protected from overloads by a main relief valve for the lift circuit and a secondary relief valve for tilt and auxiliary functions. Oil is double filtered through a 100 mesh suction line strainer and 10 micron return line filter. The hydraulic tank is integrated into the frame. For electro-hydraulic controls, an emergency lowering valve is provided to allow the load to be lowered in the event of power loss. O-ring face seal fittings are used in all high pressure hydraulic connections.

#### **Masts**

Yale Hi-Vis Masts are available in 2 Stage LFL and 3 Stage FFL configurations. Masts features flush-

# GCVX series

Models: GDC 60VX, GDC 70VX

**Yale**<sup>®</sup>  
People. Products. Productivity.<sup>™</sup>

## HYSTER-YALE UK LIMITED

trading as **Yale Europe Materials Handling**  
Centennial House, Frimley Business Park,  
Frimley, Surrey GU16 7SG, United Kingdom.

Tel: +44 (0) 1276 538500



Fax: +44 (0) 1276 538559

[www.yale-forklifts.eu](http://www.yale-forklifts.eu)



Publication part no. 220990382 Rev.02 Printed in The Netherlands (0419HG) EN.

**Safety:** This truck conforms to the current EU requirements. Specification is subject to change without notice.

Yale, VERACITOR and  are registered trademarks. "PEOPLE, PRODUCTS, PRODUCTIVITY", PREMIER, Hi-Vis, and CSS are trademarks in the United States and certain other jurisdictions. MATERIALS HANDLING CENTRAL and MATERIAL HANDLING CENTRAL are Service Marks in the United States and certain other jurisdictions.  is a Registered Copyright.

©Yale Europe Materials Handling 2019. All rights reserved. Truck shown with optional equipment.  
Country of Registration: England and Wales. Company Registration Number: 02636775